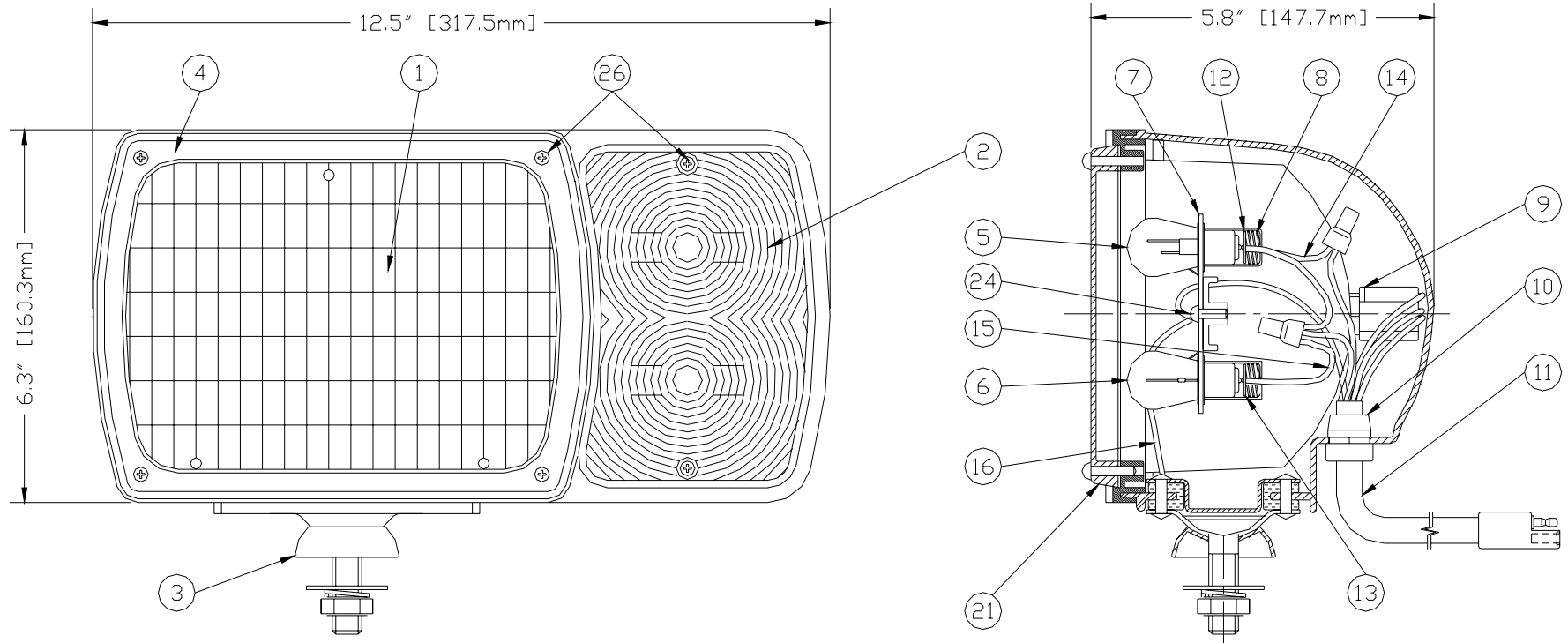


Rectangular Light Kit 800037-AXV

(retrofit plug-in harness 6 pole)





AEM Electric Company
Rectangular Light Kit 800037-AXV

R00

Complete Rectangular Light Kit 800037-AXV			
Item	Part #	Description	Quantity per side
1	465091XV	Seal beam	1
2	732467	Amber lens	1
3	739006	Mounting swivel assembly	1
4	298110-36	Seal beam retaining ring	1
5	460028	Double contact bulb	1
6	460027	Single contact bulb	1
7	280392-00	Socket and bracket assembly	1
8	535003	Spring	2
9	420943	Seal beam connector	1
10	190055	Strain relief bushing	1
11	421061	Wiring harness	1
12	320185-01	Double contact disc	1
13	320104-01	Single contact disk	1
14	520014-09	Brown wire 7"	1
15	520013-11	Red wire 7"	2
16	520019-84	Black wire ground	1

Complete Rectangular Light Kit 800037-AXV			
Item	Part #	Description	Quantity per side
17*	725552-XV	Snowplow light LH (Driver Side) Assembly (comes with swivel, washer and nut)	1
18*	725553-XV	Snowplow light RH (Curb Side) Assembly (comes with swivel, washer and nut)	1
19*	251098-00	Housing and grommet assembly LH	1
20*	251099-01	Housing and grommet assembly RH	1
21	251104-66	Bezel	1
22*	410197	Gasket for amber lens	1
23*	410198	Gasket for seal beam	1
24*	124002-01	Screw, #8 x 5/8", pan head	1
25*	124090-02	Screw, #8 x 1", pan head	6
26*	124713-00	Screw, #8 x 1 1/4", pan head	6
Item	Part #	Description	Quantity per assembly
27*	800029	Harness, 2 beam, retrofit plug-in underhood harness	2
28*	420801-12	Selector switch	1
29*	800013	Harness plug	2

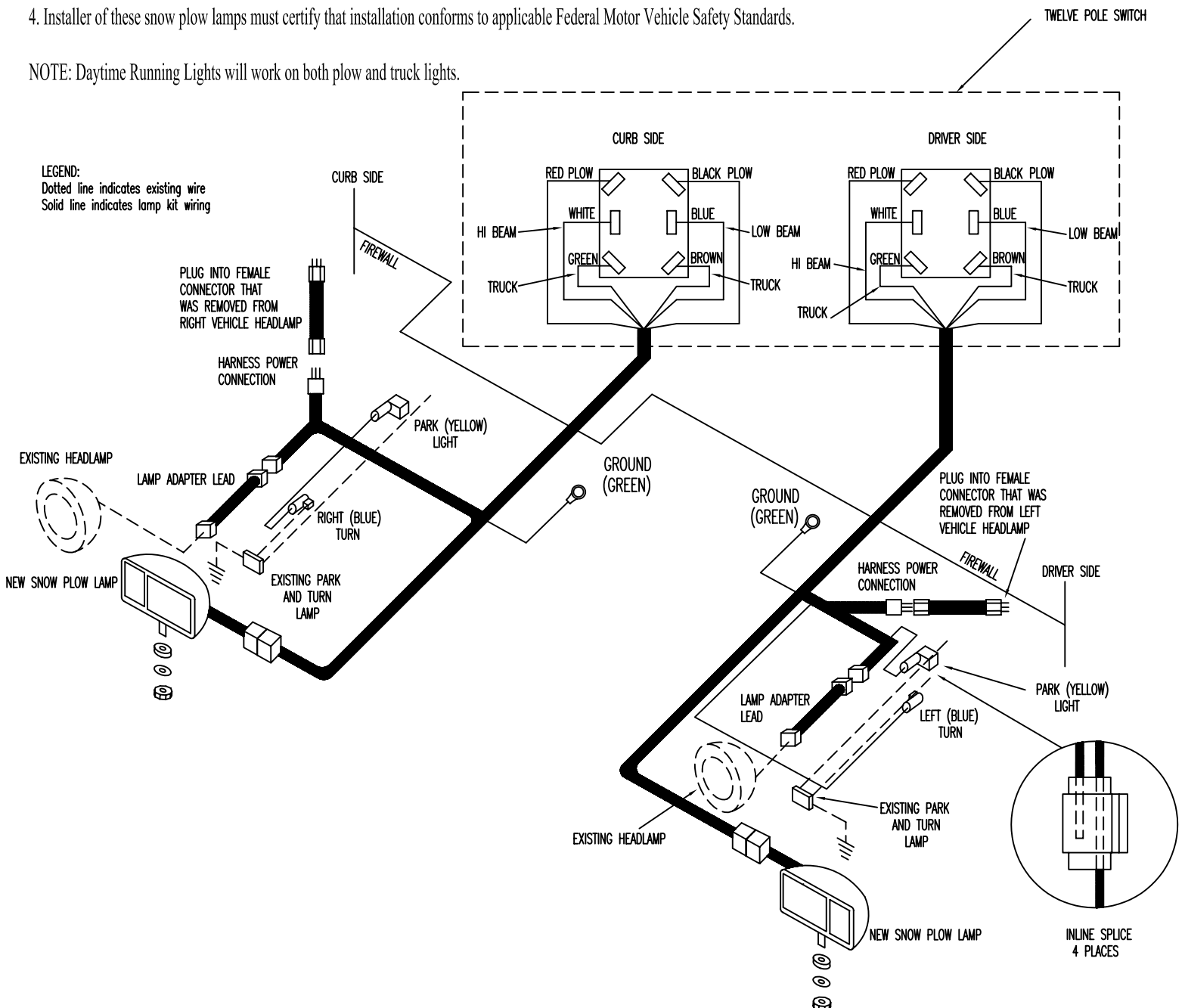
Note:

* Items not shown on the drawing.

INSTALLATION AND OPERATING INSTRUCTIONS FOR SNOWPLOW LAMP KIT NO. 800037-AXV (SEPARATE DRIVER SIDE AND CURB SIDE HARNESSSES)

- Lamps should be mounted in the desired location on the snowplow frame ensuring that the snow plow lamp beams are not obstructed by any portion of the plow or vehicle.
- WIRING INSTALLATION - Refer to diagram
 - NOTE: Prior to lamp/harness assembly, please apply provided lithium grease to snowplow lamp plugs on under hood harnesses, ensuring all connections are thoroughly covered.
 - NOTE: Neglecting to grease plugs will drastically reduce operating life of plow lamps/harnesses and will void manufacturers warranty.
 - a) Plug headlamp harness adapter leads from conversion kit (if required) into sealed beam connectors on AEM wiring harnesses (800029).
 - b) Plug above assemblies into vehicle lamps.
 - c) Plug power harness adapter leads from conversion kit (if required) into matching 3 prong plug on AEM wiring harnesses (800029).
 - d) Plug above assemblies into OEM harnesses removed from vehicle lamps.
 - e) Referring to wiring diagram, complete wiring connections of turn signal and parking lights to vehicle's electrical lighting system using Quick-Splice connectors included in bagged parts.
 - f) Drill a 9/16" diameter hole in the firewall at the most convenient location. Insert rubber grommet in the drilled hole to protect wire insulation.
 - g) Pull AEM wire harnesses through firewall from the engine compartment into the cab.
 - h) Referring to wiring diagram, connect 6 female tab connectors on end of each harness (800029) to twelve pole switch as shown below.
 - i) Select suitable location on dash to mount the toggle switch and drill 15/32" diameter hole through the dashboard.
 - j) Apply switch identification label to dash by removing protective backing from label and pressing label over switch hole. Make sure switch is positioned with respect to label so that snowplow lamps are "ON" when toggle switch is in the upper position.
 - k) Remove knurled nut from the toggle switch; insert switch through the drilled hole and re-install the knurled nut. Tighten nut securely.
- Check for proper operation. Turn on headlight switch and check that with toggle switch in lower position, only the vehicle headlamps are on. With toggle switch in upper position, only the snowplow headlamps should be on. Dimmer switch should select high and low beams on both headlamps. Turn signal lamps should be on in same sequence and at same time as vehicle turn signal lamps. Parking lamps should be on at same time as vehicle parking lamps. If any lamp does not operate correctly, re-check wiring against wiring diagram and make necessary corrections in wiring hookup. Adjust the plow lamp beams to project the same distance ahead of the vehicle as compared to the original headlights.
- Installer of these snow plow lamps must certify that installation conforms to applicable Federal Motor Vehicle Safety Standards.

NOTE: Daytime Running Lights will work on both plow and truck lights.



800029

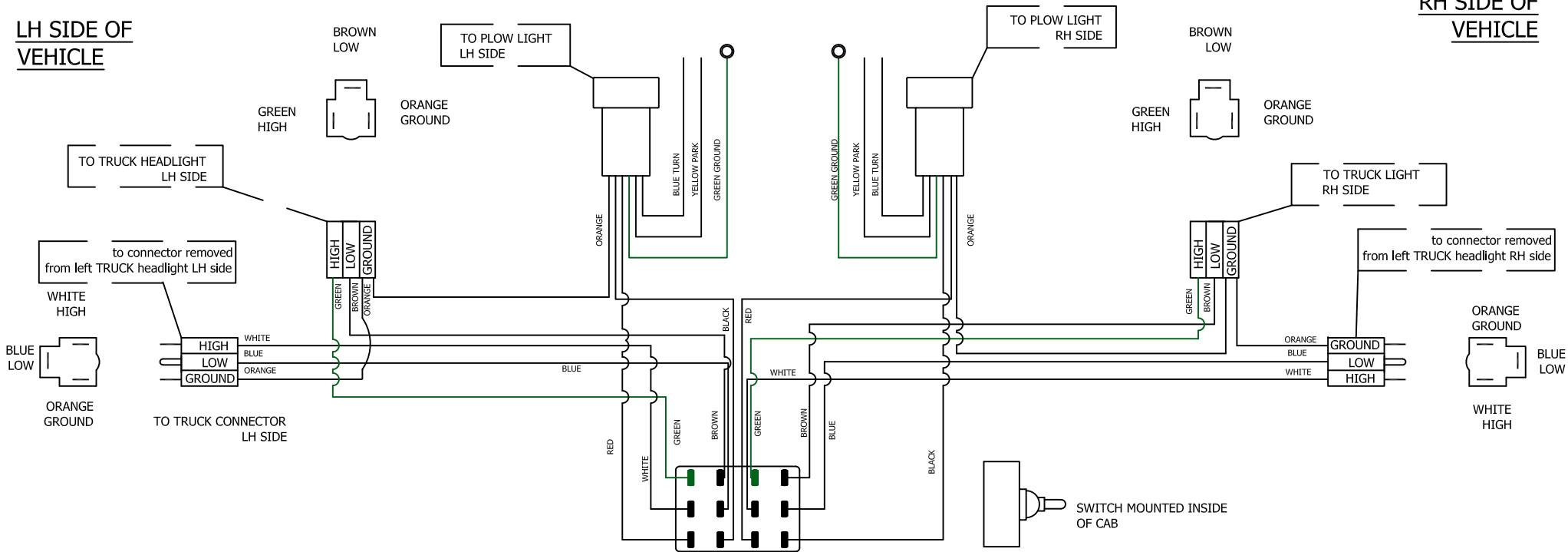
Note:

- Amber light in PLOW head/turn/park assemblies use bulbs with two filaments - minor filament for park - major filament for turn
- Blue (turn) wire connects to major filament
- Yellow (park) wire connects to minor filament

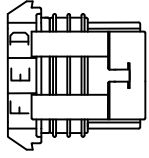
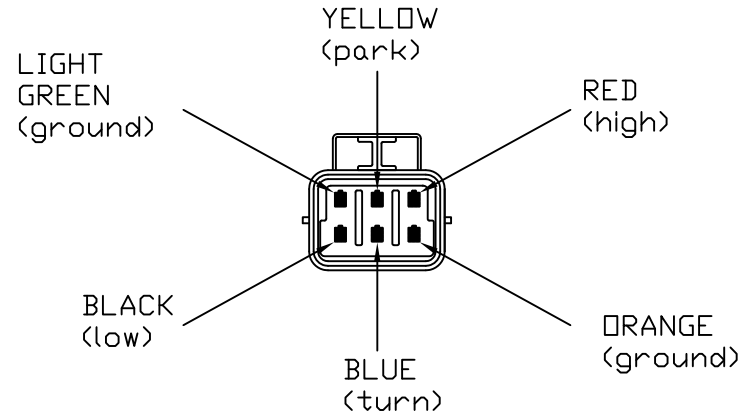
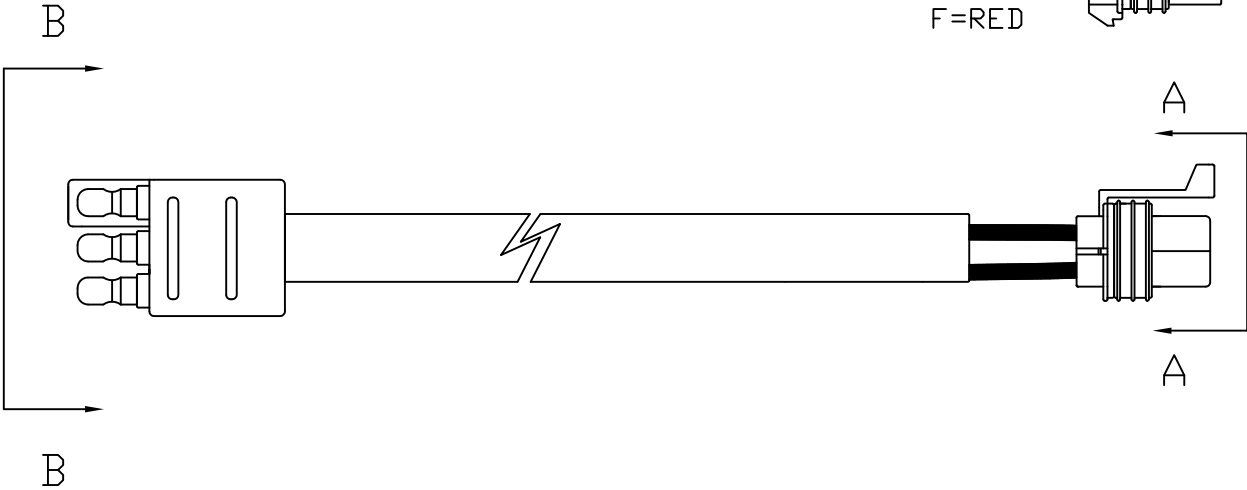


LH SIDE OF VEHICLE

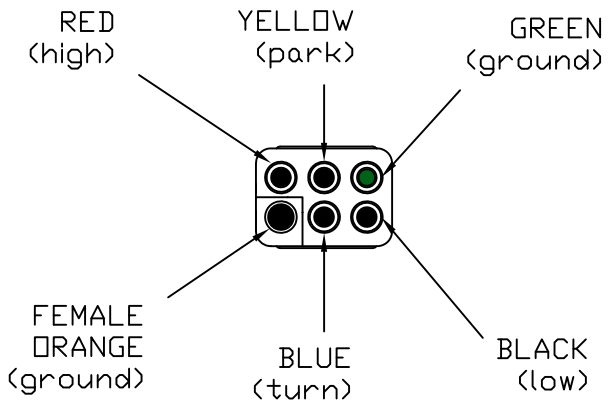
RH SIDE OF VEHICLE



A=ORANGE
 B=BLUE
 C=BLACK
 D=LIGHT GREEN
 E=YELLOW
 F=RED

VIEW 'A-A'



VIEW 'B-B' - WIRING DETAIL

Adapter harness part#
 800072 (800037 lights to
 800067 lights)